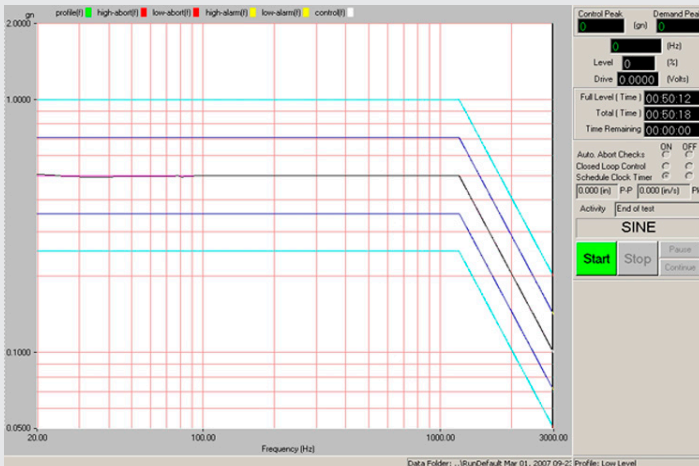


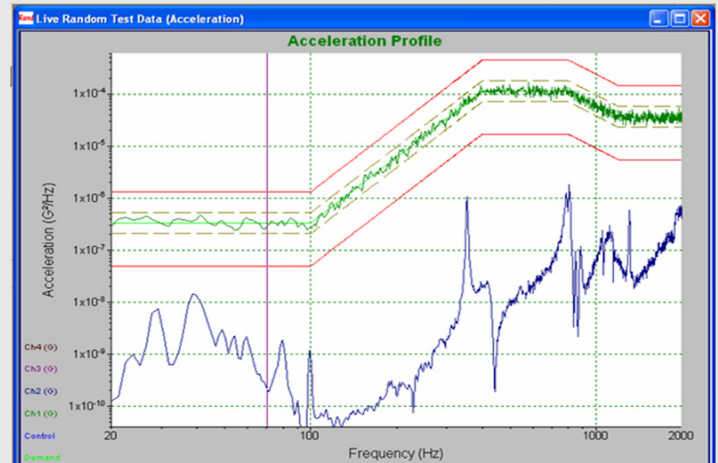
RVC 400



The RVC 400 was designed by Team Corporation to create controllable torsional vibration and shock, all in a compact, quiet device suitable for use in a standard office or laboratory setting. Capable of frequency response to 2 kHz, the RVC 400 can provide clean rotary sinusoidal and random profiles as well as limited shock pulses on small test objects.



Screen capture of graph showing Mounting Table Option "A". Trace shows 0.5 g sine sweep to 3 kHz. Accelerometer mounted at 2.5" radius.



Graph shows data capture with Mounting Table Option "B". Blue trace shows off-axis vertical acceleration driving a random vibration test to 2 kHz. Lower red abort limit equals 15% of demand.

A wide variety of equipment manufacturers are requiring rotary vibration and shock testing from their suppliers. Cross-axis motion, total harmonic distortion and shock pulse shaping are important test parameters that are difficult to control. Accurately achieving the test levels needed is a significant challenge for quality engineers. Team's RVC 400 is specifically designed to address the unique requirements of computer, sensor, avionics, mobile phone and disk drive manufacturers.

Coupled with any commercial single axis controller, quality engineers now have the speed and precision in vibration test and analysis to perform their demanding tests.

The RVC 400 is an electrically powered device. The basis

of design is a state-of-the-art torsional voice coil directly driving a flexure bearing-supported rotary shaft and table. This arrangement provides a very responsive rotating mechanism with virtually no friction, yet retains the ability to react off-axis motions with very little deflection. Utilizing rare earth permanent magnets, this rotary drive produces very high torque within a small dimensional envelope.

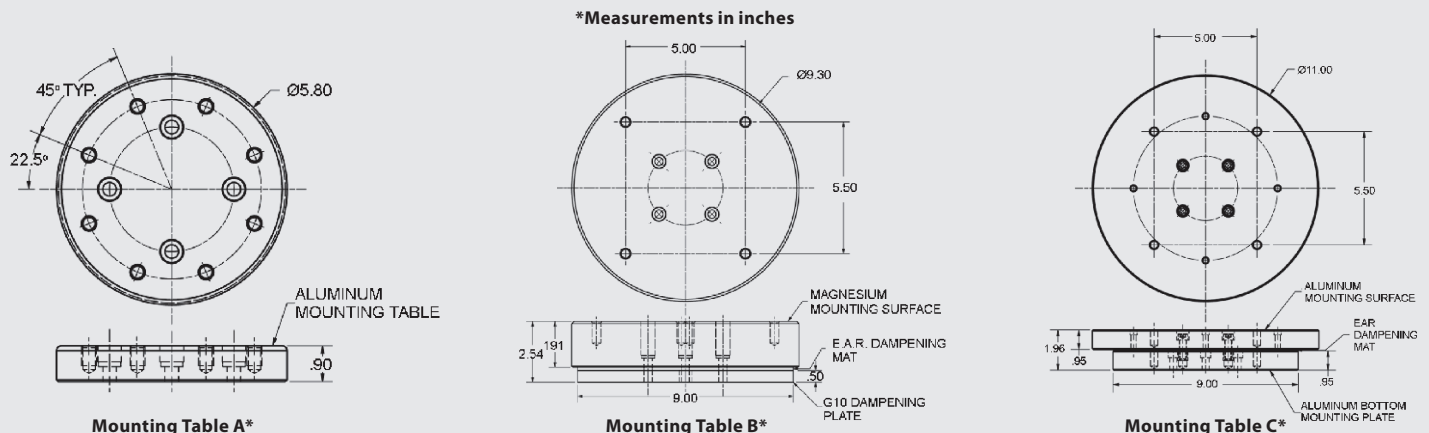
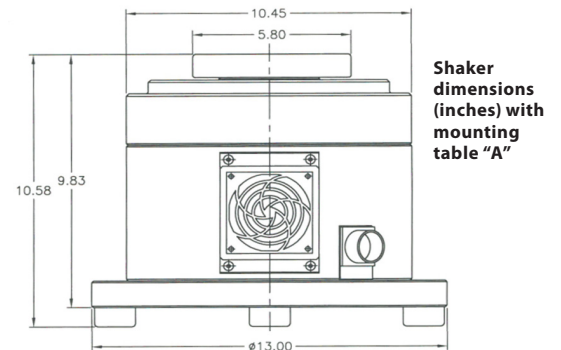
The efficient design of the RVC 400 eliminates the need for external blowers to maintain the optimum operating temperature range. An integral fan is all that's needed to provide adequate cooling in a typical laboratory environment. This feature reduces the cost of installation and operation. Additionally, it greatly reduces the noise level typically associated with conventional testing.

Specifications

	Table A	Table B	Table C	Units
Frequency Range	10-2000	10-2000	10-2000	Hz
Max Displacement	20	20	20	degrees, pk-pk
Torque (220 VAC Input)				
Peak Torque	400 (45.2)	400 (45.2)	400 (45.2)	lb-in (Nm)
Continuous Torque	134 (15.14)	134 (15.14)	134 (15.14)	lb-in (Nm)
Max Angular Acceleration (220VAC Input)				
Bare Table with top plate removed	3000	1425	677 1600	rad/sec ² rad/sec ²
Shock Performance - 1/2 Sine, 1 ms (110VAC Input)				
Payload Rotational Inertia of 0.02 lb-in sec ²	2500	1333	655	rad/sec ²
Payload Rotational Inertia of 0.05 lb-in sec ²	1900	1200	625	rad/sec ²
Payload Rotational Inertia of 0.08 lb-in sec ²	1250	1100	600	rad/sec ²
Shock Performance - 1/2 Sine, 1 ms (220VAC Input)				
Payload Rotational Inertia of 0.05 lb-in sec ² with top plate removed	4000	2400	1250 2600	rad/sec ² rad/sec ²
Dimensions				
Table Diameter	5.8 (147)	9.0 (228)	11 (279)	inches (mm)
Shipping Weight (approx.)	90 (40.82)	95 (43.09)	100 (45.36)	lbs (kg)

Features

- Perform swept sine at levels up to 3,000 rad/sec²
- Create shaped random profiles
- Dynamically control shock profiles
- Precision through 2 kHz with less than 15% cross-axis distortion
- Compact, 13 in wide x 10.6 in tall (325 mm x 267 mm)
- Suitable for use on your desk top and in environmental chambers
- Integral fan for quiet operation
- Proven to meet the rotational vibration requirements defined in Dell's OEM/Third Party Lab Certification procedure





 Team Offices

• Authorized Sales Agents

Corporate Headquarters
11591 Watertank Road,
Burlington, WA 98233, USA
+1.360.757.8601
teamcorporation.com

Asia Pacific
Rm 2005 Minhang Plaza
18 Xinqiniao Road, Pudong
201206 Shanghai, China
+86.21.3382.0671
+1.831655.6677

Team Corporation UK
11 Old Ladies Court
High Street, BATTLE
East Sussex TN33 0AH, UK
+44(0)1424.777004